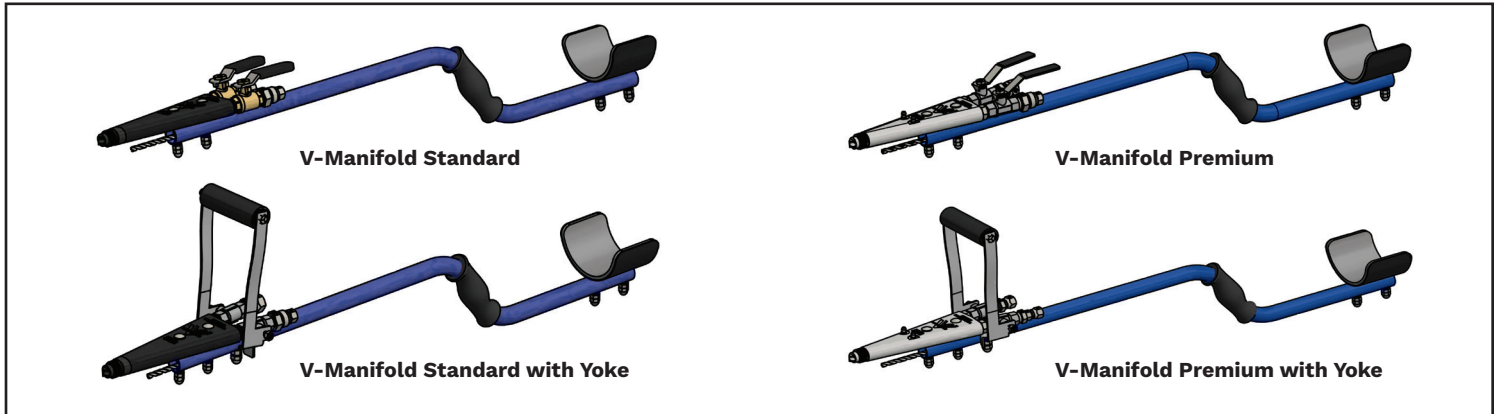
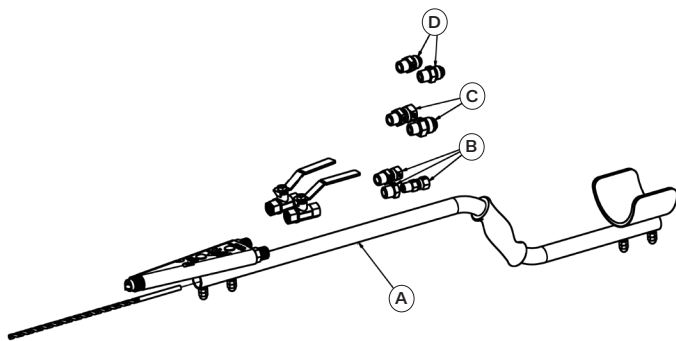


# ASSEMBLY INSTRUCTIONS

## V-Manifold

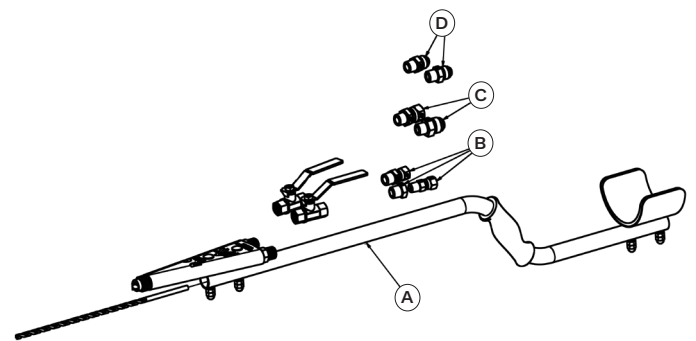


## PARTS LIST



## INSTRUCTIONS

**Review ALL instructions before beginning assembly.**  
These instructions are provided to avoid problems that may occur from improper assembly or installation.



### STEP 1

Select the correct fittings for your machine (Patriot Jr, Pace Cart, Cyclone). Apply teflon tape (or similar thread sealant) to the fittings and tighten them into the ball valves.

| Part Reference Letter & Name | Part Image | Quantity      |
|------------------------------|------------|---------------|
| <b>A</b> V-MANIFOLD          |            | 1             |
| <b>B</b> PATRIOT FITTINGS    |            | 1<br>Set of 3 |
| <b>C</b> CYCLONE FITTINGS    |            | 1<br>Set of 2 |
| <b>D</b> PACE CART FITTINGS  |            | 1<br>Set of 2 |

### ASSEMBLY TIPS:

Remove hardware from box and sort by size. Please check to see that all hardware and parts are present prior to assembly. Please follow the instructions in the same sequence as numbered to assure fast & easy assembly.



**WARNING!**  
Don't attempt to repair or modify parts that are broken or defective. Please contact a representative immediately.

### TOOLS NEEDED:

- Teflon Tape
- Adjustable Wrench